




MYN in Rural Settings

The distance separating homes in rural settings requires modifications to the standard MYN Program.

Experience has shown the following to be beneficial:

RURAL: Neighborhood Gathering Site =	Neighborhood Communication Site
<p>The MYN Neighborhood Gathering Site is a place chosen by the neighborhood as the location to which all neighbors come as soon as they have taken care of things at their own homes (MYN's Steps 1-4). Neighbors will come there to coordinate their response to their neighbors.</p>	
<p>In rural settings, because of the distance between homes, the standard Neighborhood Gathering Site becomes more like a Neighborhood Communication Site.</p>	
<p>The Neighborhood Communication Site will serve as the place where neighbors can exchange information about status and needs.</p>	

RURAL: Choosing a Neighborhood Communication Site	
<ol style="list-style-type: none"> 1. Choose a place that is known, and if possible, central to the neighborhood. A cluster of mailboxes, a crossroads, a home or barn near the middle of neighbors – all of these will work. 	
<ol style="list-style-type: none"> 2. Write this location on MYN's Neighbor Handout (you may want to write Neighborhood Communication Site in place of Neighborhood Gathering Site.) 	
<ol style="list-style-type: none"> 3. Discuss how you can best communicate with each other following disaster. Self-reliance is a hallmark of many people in rural settings, but disasters can create needs that exceed the resources available to individuals. 	

RURAL: Consider purchasing walkie-talkies	
<p>You may want to consider purchasing small walkie-talkies for the neighborhood. They typically cost about \$20 per pair, and can have a range of about 15 miles.</p>	

MYN in Rural Settings

RURAL: Using the OK / Help Card	
<ol style="list-style-type: none"> 1. After you have completed MYN's steps 1-4, bring the OK / HELP card with you to the <i>Neighborhood Gathering / Communication Site</i>. 	
<ol style="list-style-type: none"> 2. Write your name, the date, and the time on the OK side if all is well at your home. 	
<ol style="list-style-type: none"> 3. If you need HELP, write your name on the HELP side, and specify what type of help you need. 	
<ol style="list-style-type: none"> 4. Tape this card securely at the <i>Neighborhood Gathering / Communication Site</i> location. 	
<ol style="list-style-type: none"> 5. As you report in at the <i>Gathering / Communication Site</i>, if you see a need that you can help with, write the date, the time, and the help you plan to give on the card. This will allow your neighborhood to ensure that all needs are met. 	

example of rural neighborhood communication	
<p>BEFORE THE DISASTER Put this booklet under your bed, in your car, or in a sturdy container. Wear sturdy shoes, hard hats, and leather gloves.</p> <p>AFTER THE DISASTER Put the card in the front door or a window so it is visible from the street.</p>	
<p>Washington Emergency Management Public Education</p> <p>If you have questions, comments or suggestions, please contact Washington Emergency Management Public Education at: (253) 512-7009</p>	

MYN in Rural Settings

RURAL: MYN's 9-Step Neighborhood Response Plan

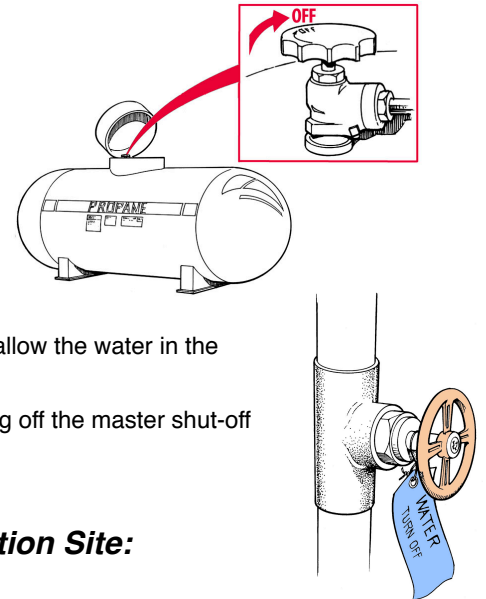
1. Take care of loved ones.
2. Protect your head with a hard hat, your feet with sturdy shoes, and your hands with leather gloves.
3. Check your propane tank for leaks.

Remember, propane is heavier than air, so it will settle in the lowest areas around your home.

4. Turn off your water at the master shut-off valve.

Many rural homes are on a private well. If the pipes bringing water to the house are cracked or severed, the house will lose its water pressure. This may allow the water in the water heater, toilet tanks, and house pipes to drain back out of the house.

This water may prove to be invaluable for drinking and food preparation. Shutting off the master shut-off valve can keep that water in your home.



On your way to the Neighborhood Gathering / Communication Site:

5. Take your OK / HELP card.

Write your name, the date, and time on OK side if all is well at your home.

If you need Help, write your name on the Help side, and specify what type of help you need.

Tape this card securely at the *Neighborhood Gathering / Communication Site* location.

6. Leave your fire extinguishers at home.

Homes in rural settings are too far apart for extinguishers to be of use throughout the neighborhood. (Obviously, should fire start in your own home, immediately use your extinguishers on it.)

At the Neighborhood Gathering / Communication Site:

7. Write your name and status on your OK / Help card and securely tape it in a visible location.

8. Check all OK / HELP cards that have been posted. If there is a need you can help with, write the date and time next to the need, and the help you will be offering.

- a. When you have finished helping at that location, report back to the *Neighborhood Gathering / Communication Site* and write the help you have given on the card.
- b. Depending on the needs of your neighborhood, you may want to establish a *Neighborhood Care Center*. Many people, including those who are elderly and those with disability, find comfort in being with others following disaster. If you decide to do this, write this location on a card and tape it in a visible location at the *Neighborhood Gathering / Communication Site*.

9. Finally, check each home in your neighborhood to ensure that all neighbors are well and accounted for.

